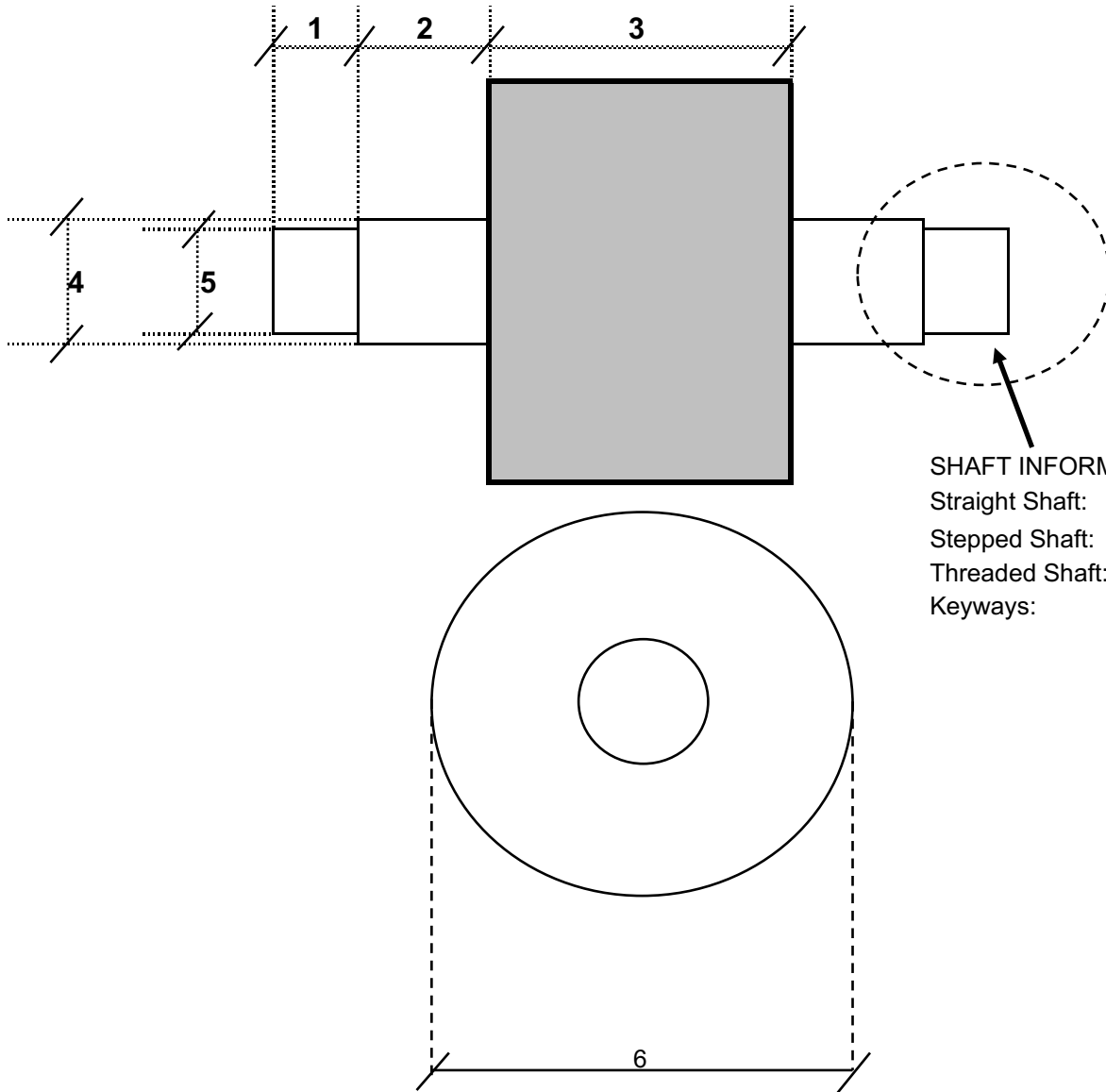


**ROTARY
SERVICE
COMPANY**



SHAFT INFORMATION:

Straight Shaft: _____
 Stepped Shaft: _____
 Threaded Shaft: _____
 Keyways: _____

DIMENSION:

1 _____
 2 _____
 3 _____
 4 _____
 5 _____
 6 _____

MATERIALS SPECIFICATIONS:

Trunnion Metal: _____
 Trunnion Hardness: _____
 Shaft Metal: _____
 Shaft Hardness: _____
 Bearing Type: _____
 Housing Type: _____

**PO Box 276
 Taylorsville, Kentucky 40071
 502.477.6655 Toll Free 877.553.1072
 rotaryservicecompany.com**